

Categorie A: Techniek 6 - 9 jaar

Pool A

| | |
|------------|--------------|
| B25 | AERTSSEN Z, |
| N12 | KIM M.J. |
| D23 | NAKASHIMA T. |
| B18 | TEERLINCK M. |

| | | |
|-----------|------------|--------------|
| D1 | D02 | UDONO Y. |
| E2 | T22 | VELTRUSKY S. |



Pool B

| | |
|-------------|--------------|
| N01 | DE JONG B, |
| B22 | KUROGI S, |
| LT05 | SKILANDIS V. |

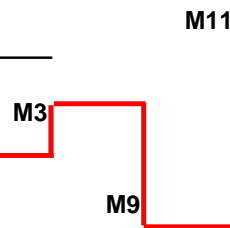
| | | |
|-----------|------------|--------------|
| B1 | B22 | KUROGI S, |
| F2 | B24 | DE GROOTE J. |



Pool C

| | |
|------------|------------|
| B21 | DE SMET H. |
| B45 | FOULON O. |
| D01 | CHIEN Y-J. |

| | | |
|-----------|------------|-------------|
| C1 | B21 | DE SMET H. |
| A2 | B25 | AERTSSEN Z, |



Pool D

| | |
|------------|---------------|
| N14 | YOSHIMATSU K. |
| B20 | MATSUDA T. |
| D02 | UDONO Y. |

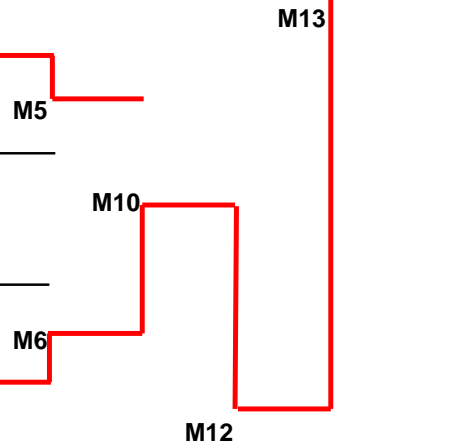
| | | |
|-----------|------------|--------------|
| D2 | B20 | MATSUDA T. |
| G2 | B19 | TEERLINCK S. |



Pool E

| | |
|------------|--------------|
| T22 | VELTRUSKY S. |
| D03 | ITO C |
| B23 | GABALDA H. |

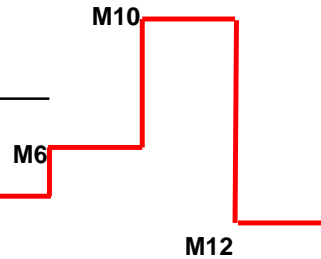
| | | |
|-----------|-------------|--------------|
| E1 | D03 | ITO C |
| B2 | LT05 | SKILANDIS V. |



Pool F

| | |
|------------|--------------|
| N13 | KATO R. |
| D04 | BHAKDI J.S. |
| B24 | DE GROOTE J. |

| | | |
|-----------|------------|-------------|
| F1 | D04 | BHAKDI J.S. |
| C2 | D01 | CHIEN Y-J. |



Pool G

| | |
|-------------|--------------|
| B44 | VAN DAELE L |
| B19 | TEERLINCK S. |
| IT01 | BRIVIO D. |
| N02 | COFFA B-D |

| | | |
|-----------|-------------|--------------|
| G1 | IT01 | BRIVIO D. |
| A1 | D23 | NAKASHIMA T. |



| | | |
|-------------|-------------|--------------|
| 1ste plaats | D01 | CHIEN Y-J. |
| 2de plaats | B25 | AERTSSEN Z, |
| 3de plaats | T22 | VELTRUSKY S. |
| 3de plaats | IT01 | BRIVIO D. |

Categorie B: Techniek 10 - 13 jaar

Pool A

| | |
|-------------|-------------|
| N08 | KIM G, |
| LT02 | REDERIS V, |
| B04 | CHAIDRON C, |

| | |
|-------------|------------------------|
| A1 | B04 CHAIDRON C, |
| D2 | |
| LT01 | IMPOLYTE V, |

Pool B

| | |
|-------------|------------|
| LT06 | LIEKIS V, |
| T19 | RYDRYCH O, |
| D06 | WIESE J, |

| | |
|-------------|-------------------------|
| E2 | LT04 CIUTAITE A, |
| B1 | |
| LT06 | LIEKIS V, |

Pool C

| | |
|-------------|----------------|
| T02 | BASISTA L, |
| LT03 | RICKEVICIUS A, |
| N11 | NAKAGAWA N, |

| | |
|------------|----------------------------|
| C1 | LT03 RICKEVICIUS A, |
| F2 | |
| T09 | KINDL T, |

Pool D

| | |
|-------------|--------------|
| LT01 | IMPOLYTE V, |
| D05 | MATSUMOTO F, |
| N09 | KATO R, |

| | |
|------------|-------------------|
| A2 | N08 KIM G, |
| D1 | |
| D05 | MATSUMOTO F, |

Pool E

| | |
|-------------|-------------|
| B02 | AZAROUAL J, |
| T08 | HRIBOVA L, |
| LT04 | CIUTAITE A, |

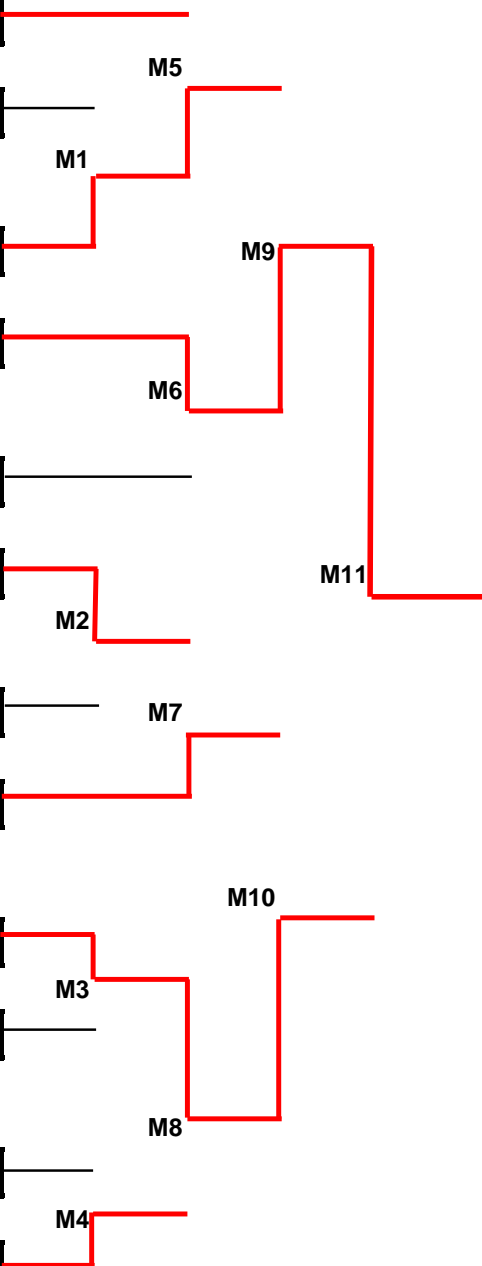
| | |
|------------|-----------------------|
| E1 | T08 HRIBOVA L, |
| B2 | |
| T19 | RYDRYCH O, |

Pool F

| | |
|------------|-----------|
| T09 | KINDL T, |
| N10 | UCHIDA N, |
| | |

| | |
|------------|----------------------|
| F1 | N10 UCHIDA N, |
| C2 | |
| T02 | BASISTA L, |

| | |
|-----------------|----------------------------|
| 1ste plaats | LT06 LIEKIS V, |
| 2de plaats | T08 HRIBOVA L, |
| 3de plaats | LT04 CIUTAITE A, |
| 3de plaats | D05 MATSUMOTO F, |
| Fighting spirit | LT03 RICKEVICIUS A, |



Categorie C: Techniek 14 - 18 jaar

Pool A

| | |
|------------|----------------|
| D07 | THOMAS-KISHIDA |
| T13 | LAPACKOVA H, |
| N07 | SHABAN N, |

A1

| | |
|------------|----------------|
| D07 | THOMAS-KISHIDA |
|------------|----------------|

B2

| | |
|-------------|------------|
| PL01 | SCHWARZ R, |
|-------------|------------|

M1

M3

Pool B

| | |
|-------------|---------------|
| IT10 | FORMOSA C, |
| B41 | V,WESEMAEL S, |
| PL01 | SCHWARZ R, |

B1

| | |
|------------|---------------|
| B41 | V,WESEMAEL S, |
|------------|---------------|

A2

| | |
|------------|--------------|
| T13 | LAPACKOVA H, |
|------------|--------------|

M2

| | | |
|-----------------|-------------|----------------|
| 1ste plaats | B41 | V,WESEMAEL S, |
| 2de plaats | PL01 | SCHWARZ R, |
| 3de plaats | D07 | THOMAS-KISHIDA |
| 3de plaats | T13 | LAPACKOVA H, |
| Fighting spirit | N07 | SHABAN N, |

Categorie D Shiai 6 - 9 jaar

Pool A

| | |
|------------|--------------|
| B06 | MIHARA Y, |
| B38 | HAEKE S, |
| T15 | MATYASTIK V, |

| | |
|-----------|-----------------------|
| A1 | B38 HAEKE S, |
| D2 | T10 KOPISTE P, |

M1

Pool B

| | |
|-------------|------------------|
| LT11 | STANISLOVAITIS A |
| B07 | VANDENHEUVEL |
| D22 | MURAYAMA K |

| | |
|-----------|------------------------|
| B1 | D22 MURAYAMA K |
| C2 | LT12 KUDIRKA B, |

M5

M2

M7

Pool C

| | |
|-------------|------------|
| T10 | KOPISTE P, |
| LT12 | KUDIRKA B, |
| B08 | SPAEPEN |

| | |
|-----------|-------------------------|
| C1 | B08 SPAEPEN |
| B2 | B07 VANDENHEUVEL |

M3

M6

Pool D

| | |
|-------------|------------|
| B09 | HAMADA T, |
| LT10 | SUTAITE B, |
| | |

| | |
|-----------|-------------------------|
| D1 | B09 HAMADA T, |
| A2 | T15 MATYASTIK V, |

M4

| | | |
|-----------------|-------------|------------|
| 1ste plaats | B38 | HAEKE S, |
| 2de plaats | B09 | HAMADA T, |
| 3de plaats | D22 | MURAYAMA K |
| 3de plaats | B08 | SPAEPEN |
| Fighting spirit | LT10 | SUTAITE B, |

Categorie E: Shiai 10 - 12 jaar

Pool A

| | |
|------------|--------------|
| B10 | PANZANI K, |
| N16 | V,KRIMPEN L, |
| B36 | CARLIER M, |

A2

| | |
|------------|------------|
| B36 | CARLIER M, |
| H2 | |
| D09 | INAKA Y, |

M1

Pool B

| | |
|-------------|--------------|
| IT04 | LAZZERI L, |
| D10 | MURAYAMA T, |
| LT08 | SARAPOVAS M, |

B1

| | |
|-------------|-----------------|
| IT04 | LAZZERI L, |
| F2 | |
| N15 | V,VASTENHOVEN A |

M9

M2

Pool C

| | |
|------------|---------------|
| D39 | FREY P, |
| TO3 | EICHLEROVA V, |
| B11 | LEVAN A, |

C1

| | |
|------------|----------|
| D39 | FREY P, |
| E2 | |
| D11 | INAKA N, |

M13

M3

Pool D

| | |
|-------------|--------------|
| IT02 | BRIVIO T, |
| N03 | AZAROUAL C, |
| D08 | YOSHIZAWA S, |

D1

| | |
|-------------|----------------|
| IT02 | BRIVIO T, |
| G2 | |
| LT09 | SINKEVICIUS E, |

M10

M4

Pool E

| | |
|-------------|--------------|
| D11 | INAKA N, |
| IT05 | TARASCONI A, |
| B13 | MATSUMOTO S, |

E1

| | |
|-------------|--------------|
| IT05 | TARASCONI A, |
| B2 | |
| D10 | MURAYAMA T, |

M15

M5

M11

Pool F

| | |
|------------|-----------------|
| D29 | SPIRAREWICZ F, |
| N15 | V,VASTENHOVEN A |
| B42 | V,HEUGTEN S |

F1

| | |
|------------|----------------|
| D29 | SPIRAREWICZ F, |
| C2 | |
| TO3 | EICHLEROVA V, |

M14

M6

Pool G

| | |
|-------------|-----------------|
| LT09 | SINKEVICIUS E, |
| T16 | MATYASTIKOVA J, |
| B12 | PANZANI T, |

G1

| | |
|------------|--------------|
| B12 | PANZANI T, |
| D2 | |
| D08 | YOSHIZAWA S, |

M7

Pool H

| | |
|-------------|--------------|
| D09 | INAKA Y, |
| IT03 | SALVADORI M, |
| D38 | HEINSS A |
| PL02 | TAGUN J, |

H1

| | |
|-------------|--------------|
| IT03 | SALVADORI M, |
| A1 | |
| N16 | V,KRIMPEN L, |

M12

M8

| | | |
|-----------------|-------------|----------------|
| 1ste plaats | IT04 | LAZZERI L, |
| 2de plaats | D10 | MURAYAMA T, |
| 3de plaats | IT02 | BRIVIO T, |
| 3de plaats | IT03 | SALVADORI M, |
| Fighting spirit | D29 | SPIRAREWICZ F, |

Categorie F: Shiai 13 - 15 jaar

Pool A

| | |
|------|----------------|
| IT06 | BIRARDI Y. |
| PL05 | MURAWSKI M. |
| B46 | V.HOOREBEKE L. |

A1

| | |
|-----------|--------------|
| IT06 | BIRARDI Y. |
| G2 | |
| D13 | YOSHIZAWA S. |

M9

Pool B

| | |
|-----|-------------|
| T21 | UHLIROVA K. |
| D30 | LI FONTI C. |
| B27 | POSMAN T. |

H2

| | |
|-----------|-------------|
| PL04 | TUGAN H. |
| B1 | |
| D30 | LI FONTI C. |

M1

M17

Pool C

| | |
|-----|------------|
| B15 | LEVAN C. |
| T05 | HADINEC M. |
| D40 | SCHELD P. |

C1

| | |
|-----------|------------|
| T05 | HADINEC M. |
| I2 | |
| T12 | KORBEL J. |

M10

M23

M21

D30 LI FONTI C.

Pool D

| | |
|-----|-----------------|
| B28 | POSMAN Y. |
| N05 | YOKOTA Y. |
| D14 | KLUEHSPIES A.R. |

J2

| | |
|-----------|------------|
| T06 | HAVELKA O. |
| D1 | |
| N05 | YOKOTA Y. |

M2

M11

Pool E

| | |
|------|---------------|
| PL03 | STACHOWICZ M. |
| N43 | DE ZOMMERS L. |
| T04 | EICHLEROVA N. |

E1

| | |
|-----------|---------------|
| T04 | EICHLEROVA N. |
| K2 | |
| D34 | TAVERNIER M. |

M3

M18

Pool F

| | |
|-----|-------------|
| T01 | HAVLICEK O. |
| D35 | OZEL Y. |
| B37 | CARLIER E. |

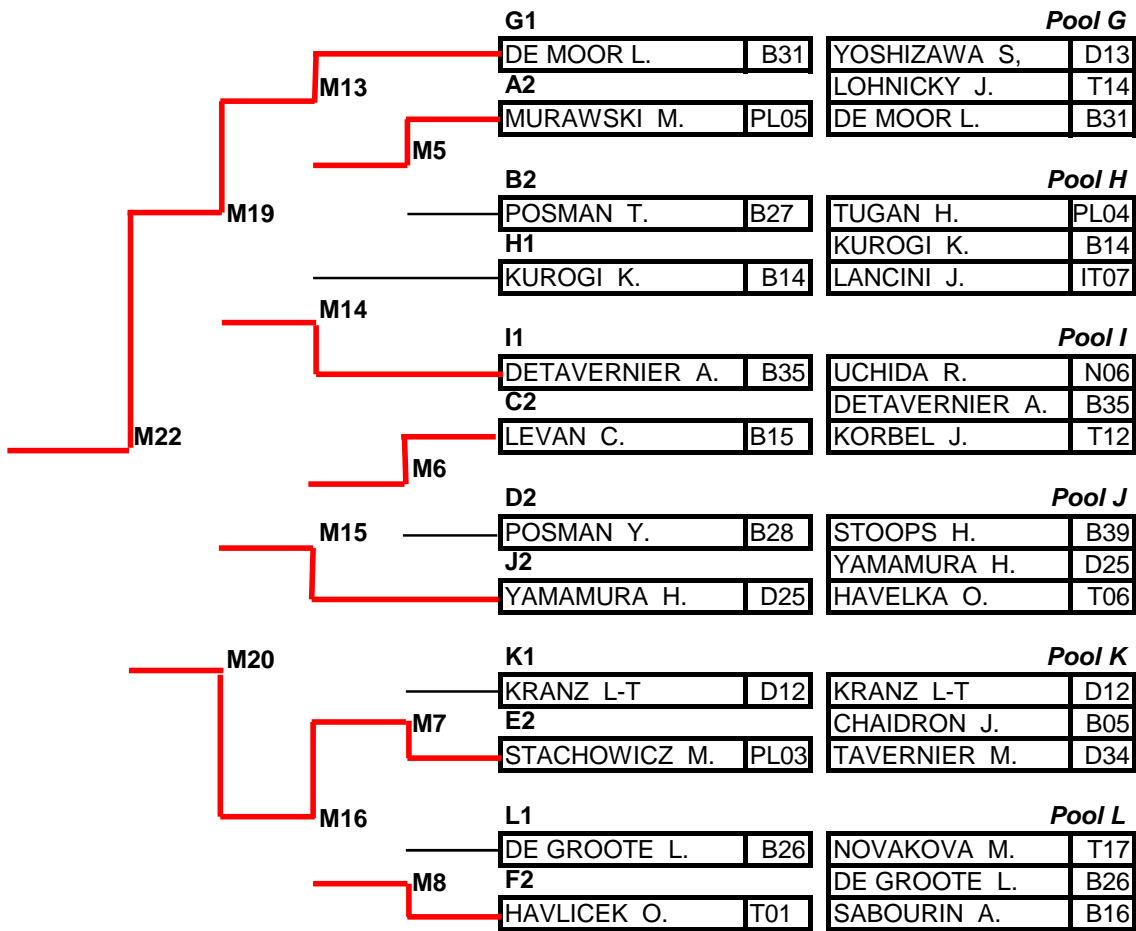
F1

| | |
|-----------|-------------|
| D35 | OZEL Y. |
| L2 | |
| T17 | NOVAKOVA M. |

M12

M4

| | | |
|-----------------|------|---------------|
| 1ste plaats | D30 | LI FONTI C. |
| 2de plaats | B31 | DE MOOR L. |
| 3de plaats | T06 | HAVELKA O. |
| 3de plaats | PL03 | STACHOWICZ M. |
| Fighting spirit | IT06 | BIRARDI Y. |

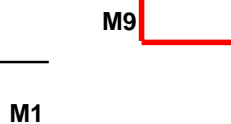


Categorie G: Shiai 16 - 18 jaar

Pool A

| | |
|------|------------|
| PL06 | PIETRAS M. |
| D21 | YABE S. |
| B32 | D'HONT F. |

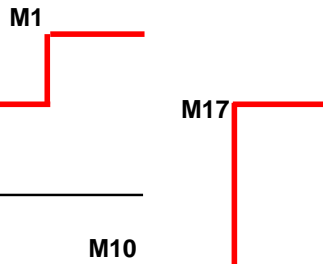
| | | |
|-----|----------|------------|
| A1 | PL06 | PIETRAS M. |
| G2 | | |
| T18 | PITAS O. | |



Pool B

| | |
|-----|--------------|
| D37 | OZEL CAN. |
| N18 | VERHAEGH B. |
| D24 | NAKASHIMA K. |

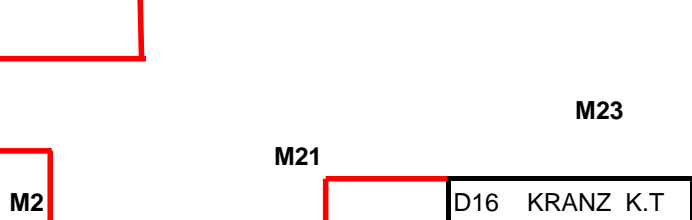
| | | |
|-----|-------------|---------------|
| H2 | IT09 | CASTIGNOLA L. |
| B1 | | |
| N18 | VERHAEGH B. | |



Pool C

| | |
|-----|------------------|
| T20 | STEFKA M. |
| B01 | JEVTIC ROMANO A. |
| D17 | MEIER A. |

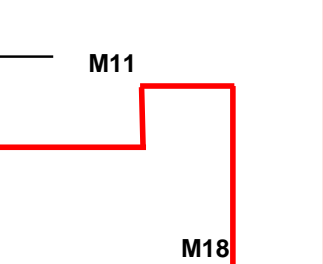
| | | |
|-----|-----------|-----------|
| C1 | T20 | STEFKA M. |
| I2 | | |
| N04 | YOKOTA H. | |



Pool D

| | |
|------|-------------|
| IT08 | MANZELLA E. |
| D20 | EBINE K. |
| F01 | CHARRIN A. |

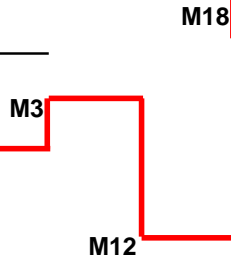
| | | |
|-----|------------|--------------|
| J2 | D36 | OZEL CAMILLE |
| D1 | | |
| F01 | CHARRIN A. | |



Pool E

| | |
|-----|------------|
| B40 | FAELENS C. |
| T07 | HAVELKA L. |
| D31 | NICOLAI L. |

| | | |
|-----|-----------|------------|
| E1 | T07 | HAVELKA L. |
| K2 | | |
| D16 | KRANZ K.T | |



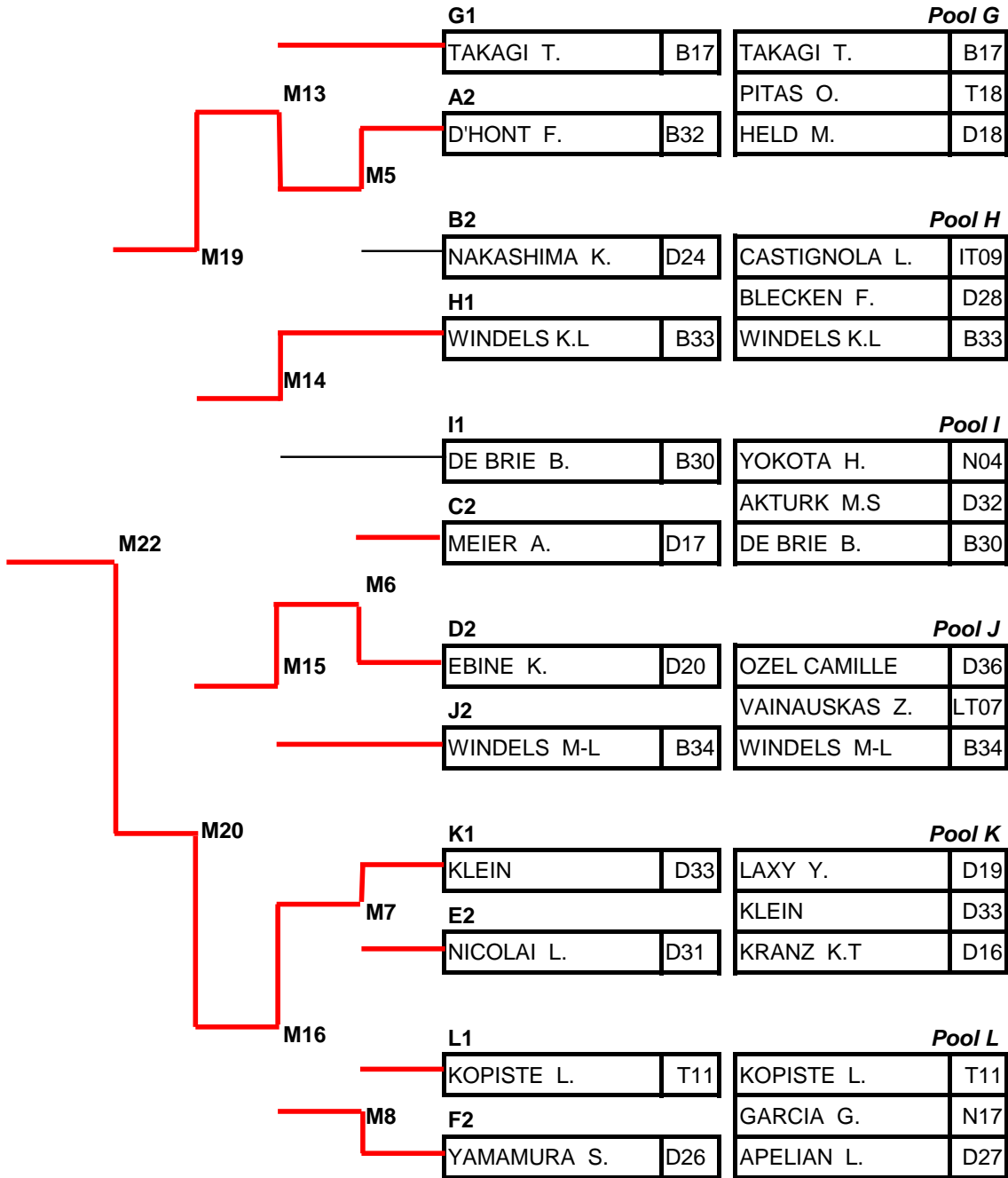
Pool F

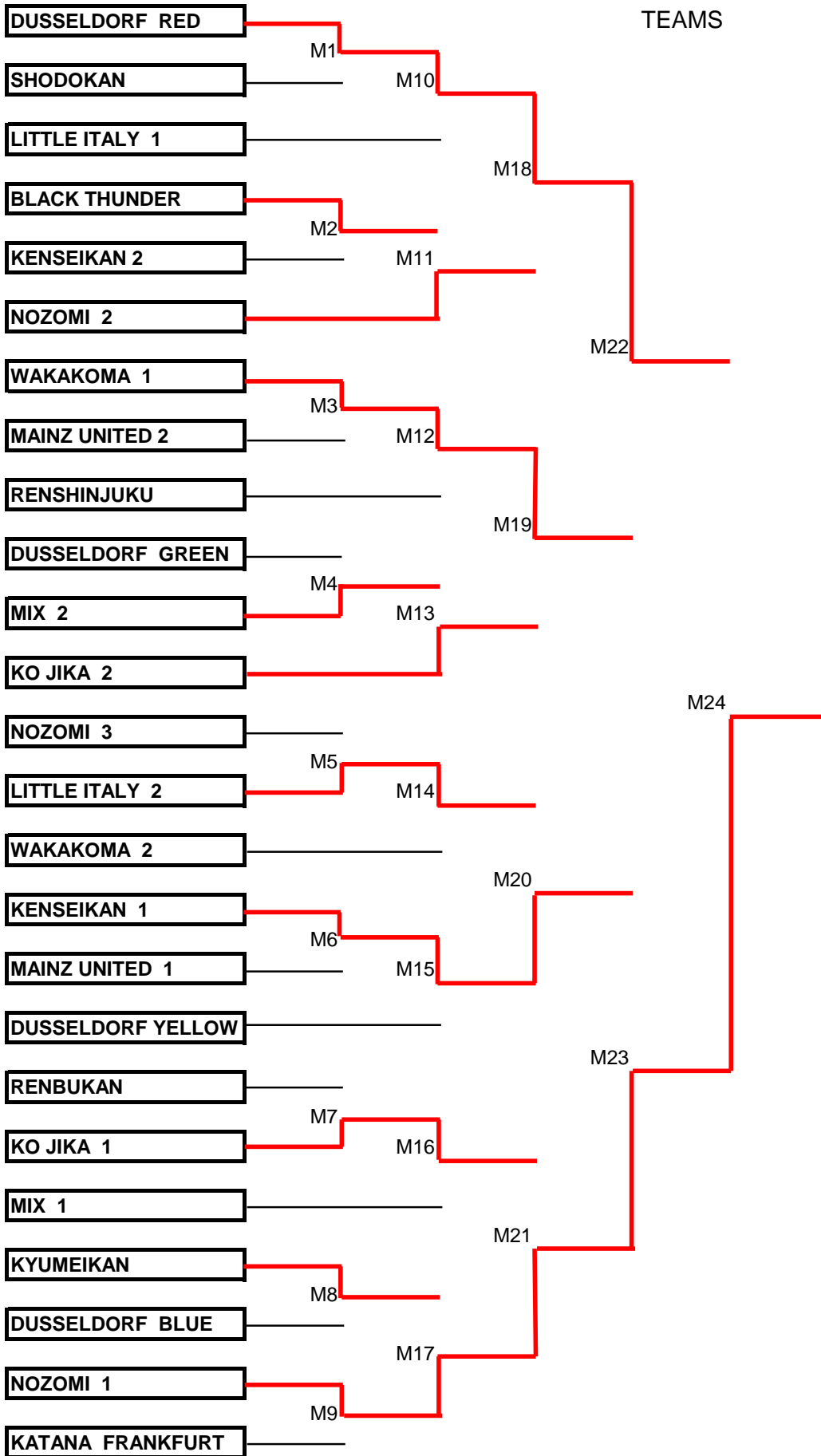
| | |
|-----|----------------|
| D26 | YAMAMURA S. |
| B29 | VAN LAECKEN K. |
| NO3 | SMIT D. |

| | | |
|-----|-----------|----------------|
| F1 | B29 | VAN LAECKEN K. |
| L2 | | |
| N17 | GARCIA G. | |



| | | |
|-----------------|-----|------------|
| 1ste plaats | D16 | KRANZ K.T |
| 2de plaats | D33 | KLEIN |
| 3de plaats | T20 | STEFKA M. |
| 3de plaats | B32 | D'HONT F. |
| Fighting spirit | T07 | HAVELKA L. |





| | |
|-------------|----------------|
| 1ste plaats | NOZOMI 1 |
| 2de plaats | DUSSELDORF RED |
| 3de plaats | KENSEIKAN 1 |

| | |
|------------|------------|
| 3de plaats | WAKAKOMA 1 |
|------------|------------|

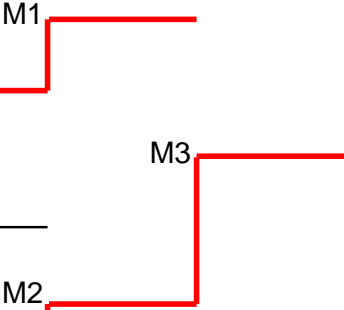
KIDS TEAMS

| | | | |
|--------|--|--|--|
| KIDS 1 | Wakakoma Kyumeikan Shonen Dusseldorf | MIHARA Y. SUTAITE B. MURAYAMA K. | |
|--------|--|--|--|

| | | | |
|--------|---------------------------------|---|--|
| KIDS 2 | Nozomi Wakakoma Kyumeikan | MATYASTIK V. VANDENHEUVEL L. STANISLOVAITIS A | |
|--------|---------------------------------|---|--|

| | | | |
|--------|--------------------|--------------------------|--|
| KIDS 3 | Nozomi Wakakoma | KOPISTE P. SPAEPEN M. | |
|--------|--------------------|--------------------------|--|

| | | | |
|--------|----------------------------------|-------------------------------------|--|
| KIDS 4 | Ko Jika Wakakoma Kyumeikan | HAEKE S. HAMADA T. KURDIKA B. | |
|--------|----------------------------------|-------------------------------------|--|



| | |
|-------------|--------|
| 1ste plaats | KIDS 4 |
| 2de plaats | KIDS 2 |
| 3de plaats | KIDS 1 |
| 3de plaats | KIDS 3 |